




# Cloud Ready Applications

Enabling cloud computing solution for continuous improvement



A framework composed of a set of proven tools and methodologies that help to understand the customer's technological challenges and define the path to evolve to the Cloud.

This framework is a multi-industry solution, focused on customers who want to make a transition to the Cloud and is designed by blocks that can be implemented together or separately.

Why – today's challenges

How we do it

What's in it for you?

(With) who

Talk to us

# Why? These are today's challenges

---



---

**BUILD APPLICATIONS  
QUICKLY**



---

**BECOME DATA DRIVEN  
ORGANIZATIONS**



---

**IMPROVE BUSINESS  
AGILITY**



---

**ENABLE EXPANSION  
INTO NEW MARKETS**



---

**REDUCE COSTS**



---

**ACCELERATE TIME TO  
MARKET**

# Our Value Proposition

---

Cloud transition is not just about technology. Cloud transition is **the way** to adapt business to act more **agile, sustainable and disruptive** to change, taking advantage of data and intelligence and creating a greater **client impact**.

Our **current knowledge** enables us to be a differentiated partner on building and migrating applications from on premises to the cloud.

By focusing on **Enterprise Design** and by taking advantage of existing best of breed solutions in the market, we will design a **journey** that will differentiate and empower our services.



## Monitor, control and support

With 24/7 monitoring and daily management by our team of experts we ensure continuity and security.

## Understand the current capability and maturity, business objectives and drivers

From the application portfolio and Services, we deep understand Business Processes and IT system dependencies to define the IT model when operating in cloud.



## Execute the strategy to reach the defined goals

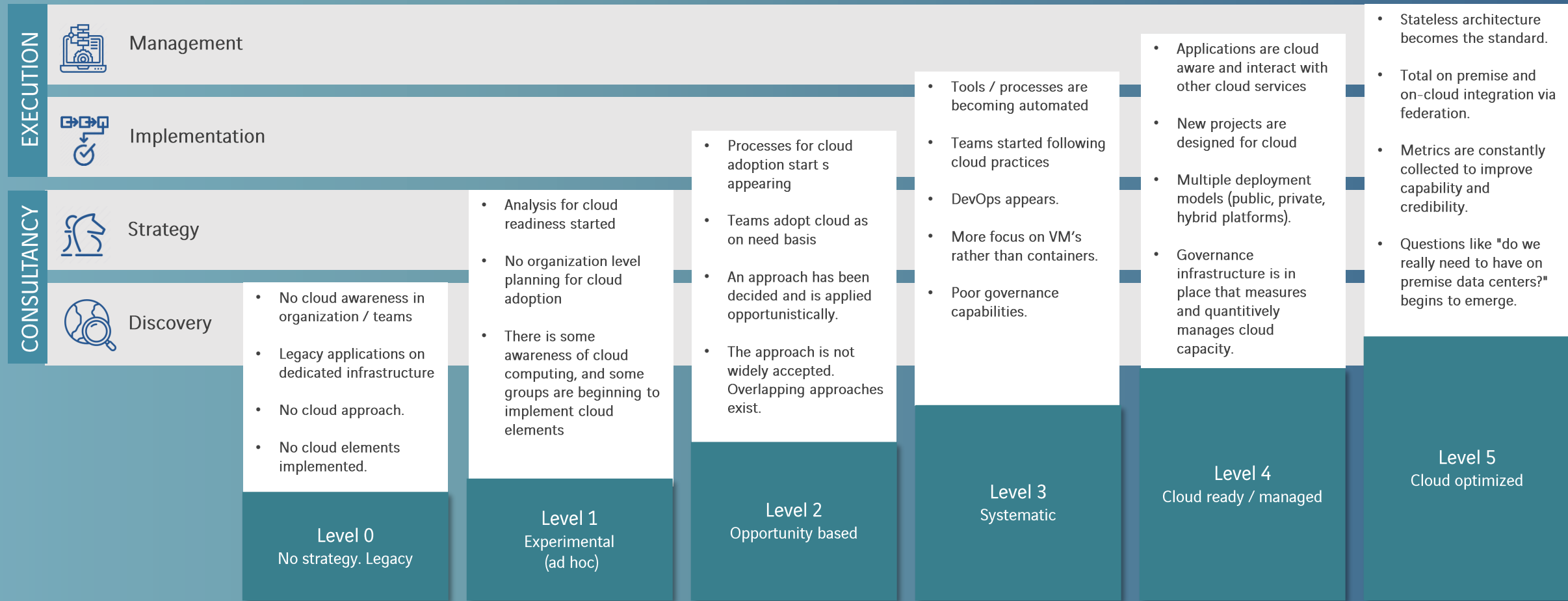
Setting up the migration with a gradual approach and minimal impact to day-to-day business, implementing DevSecOps and training People.

## Determine the best path to take

Developing an end-to-end strategic business plan for a complete cloud infrastructure with clear timelines and deliverables.

# What's in it for you?

## ENTERPRISE CLOUD MATURITY MODEL



## Cloud Partners

---

We are intent on the new technological trends and are committed in incorporate them into our solutions as a natural evolution of our Offer.

The AWS logo, featuring the lowercase letters "aws" in a bold, black, sans-serif font, with a curved orange arrow underneath that points from the 'a' to the 's'.The Microsoft Azure logo, consisting of a blue stylized 'A' icon above the text "Microsoft Azure" in a blue, sans-serif font.The Google Cloud logo, featuring the multi-colored Google logo (red, yellow, green, blue) above the text "Google Cloud" in a black, sans-serif font.The Oracle Cloud logo, featuring the word "ORACLE" in a red, serif font above the word "CLOUD" in a black, sans-serif font, all enclosed within a white cloud outline.

# Cloud Strategy Adoption Roadmap

## Challenge

Establish a roadmap that guide EMSA towards the adoption of a Cloud Native Architecture and migrate EMSA current application portfolio to run in Cloud.

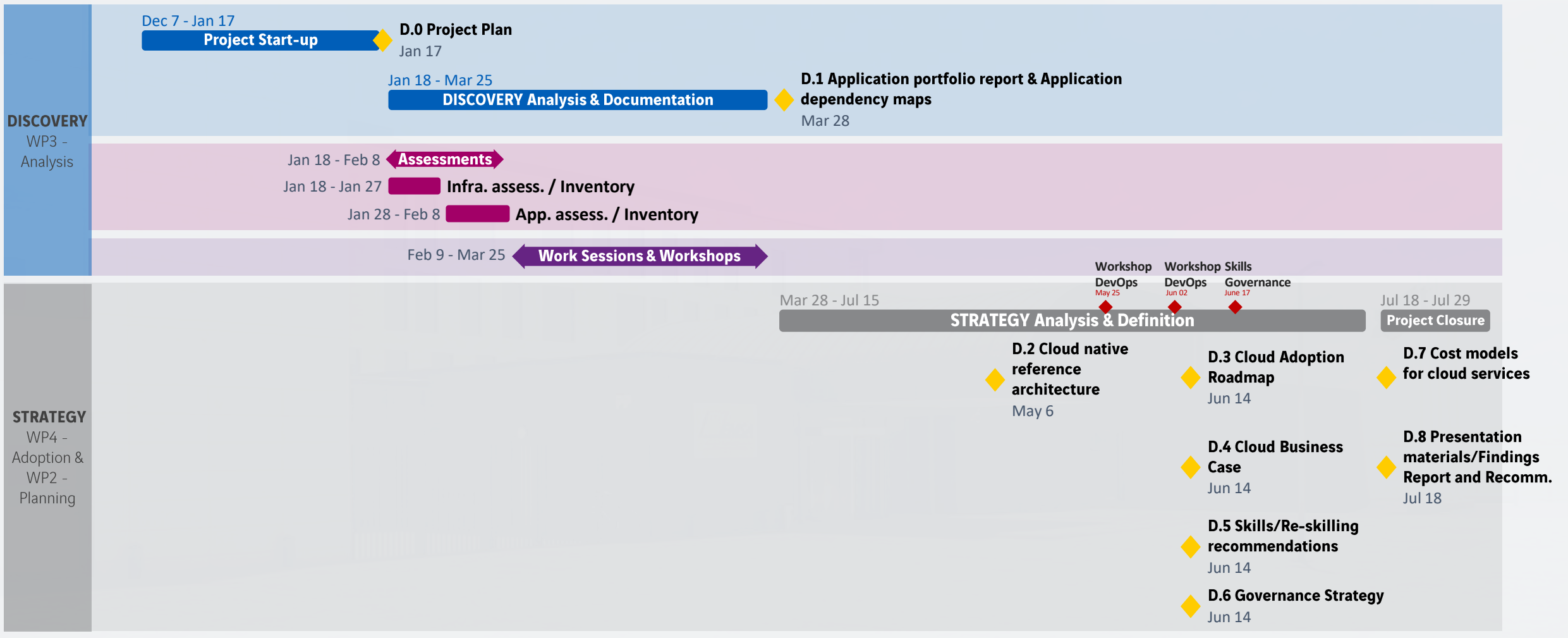
## 6 key strategic goals:

- Real time maritime traffic data
- To excel in innovation using Big Data Storage and Data Lakes
- Raise efficiency through the adoption of a cloud native architecture, making full use of SaaS services
- Adapt ICT Security
- Increase agility improving time to market, and facilitating scalability
- Transform ICT governance by establishing cloud competencies

The **European Maritime Safety Agency (EMSA)** is responsible for reducing the risk of marine accidents and marine pollution caused by ships.



# Cloud Strategy Adoption Roadmap



# Cloud Strategy Adoption Roadmap

Dec 7 - Jan 17

Project Start-up

D.0 Project Plan

Jan 17

Jan 18 - Mar 25

DISCOVERY Analysis

DISCOVERY

WP3 - Analysis

Jan 18 - Feb 8 Assessments

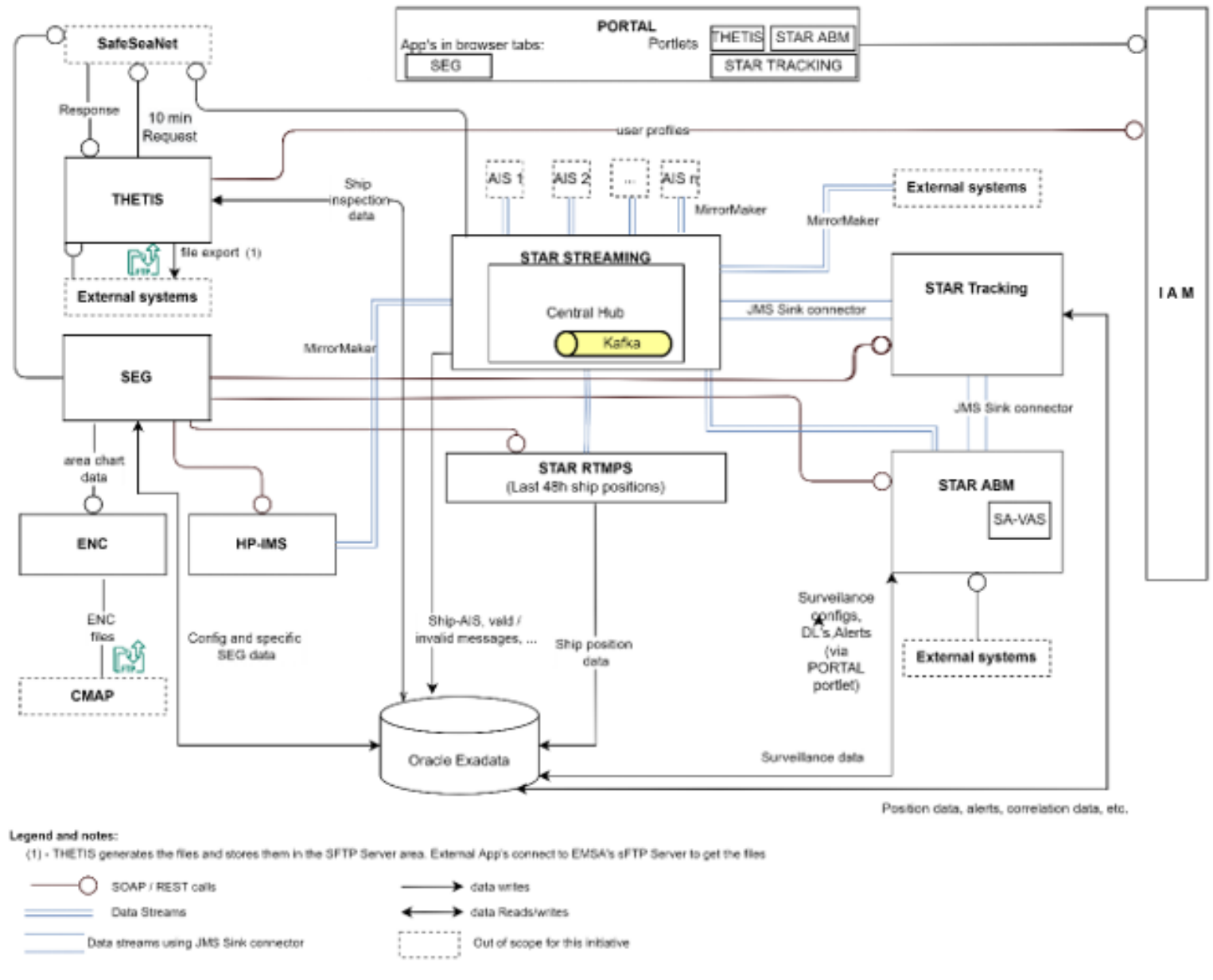
Jan 18 - Jan 27 Infra. assess. / Invest.

Jan 28 - Feb 8 App. assess.

Feb 9 - Mar 25 Work S...

STRATEGY

WP4 - Adoption & WP2 - Planning



# Cloud Strategy Adoption Roadmap

Dec 7 - Jan 17

Project Start

D.0 Project Plan

**DISCOVERY**  
WP3 - Analysis

**STRATEGY**  
WP4 - Adoption &  
WP2 - Planning

		Targets													
		PORTAL	THETIS	SEG	ENC	HP-IMS	STAR STREAMING	STAR RTMPS	STAR TRACKING	STAR ABM	CMAP	Access management	Oracle Exadata	SafeSeaNet	External systems
Sources	PORTAL		Portlet	Browser tabs					Portlet	Portlet		SOAP/REST	JDBC		
	THETIS											SOAP/REST	JDBC	SOAP	SFTP
	SEG				SOAP/REST	REST			SOAP/REST	SOAP/REST		SOAP/REST	JDBC	SOAP	
	ENC										FTP	SOAP/REST			
	HP-IMS											SOAP/REST			
	STAR STREAMING					TCP		TCP	JMS Sink connector	TCP			JDBC		TCP
	STAR RTMPS												JDBC		
	STAR TRACKING									JMS Sink connector		SOAP/REST	JDBC		
	STAR ABM											SOAP/REST	JDBC		
	SafeSeaNet		SOAP	SOAP/REST											
	External systems		SOAP							SOAP					
	Mobile client		REST												
	External AIS providers							TCP							

# Cloud Strategy Adoption Roadmap

Dec 7 - Jan 17

**Project Start-up**

**D.0 Project Plan**

Jan 17

Jan 18 - Mar 25

**DISCOVERY Analysis & Documentation**

Jan 18 - Feb 8

**Assessments**

Jan 18 - Jan 27

**Infra. assess. / Inventory**

Jan 28 - Feb 8

**App. assess. / Inventory**

Feb 9 - Mar 25

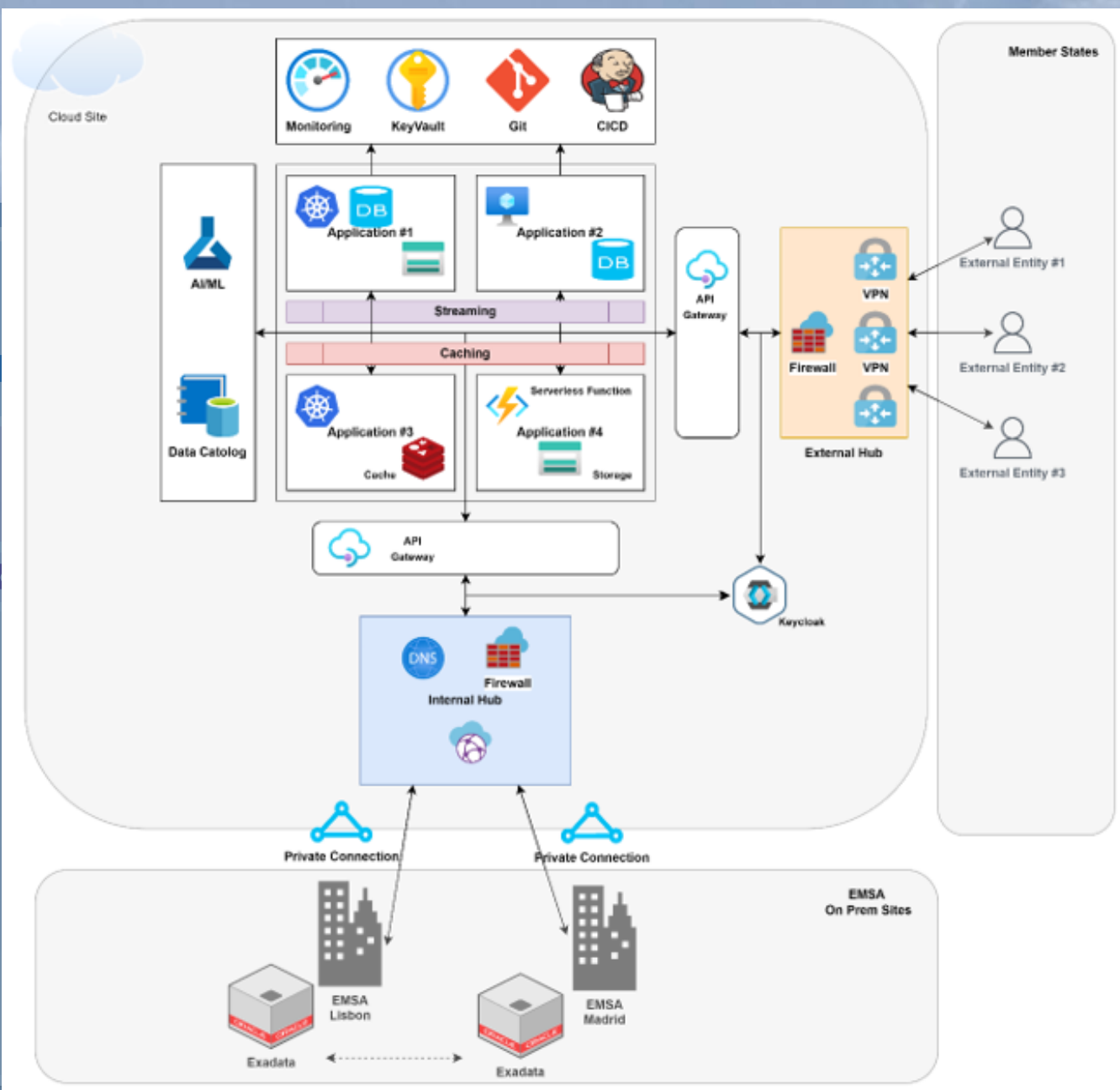
**Work Sessions & Worksh**

## DISCOVERY

WP3 - Analysis

## STRATEGY

WP4 - Adoption & WP2 - Planning



# Cloud Strategy Adoption

Dec 7 - Jan 17

Project Start-up

D.0 Project

Jan 17

Jan 18 - Mar 17

DISC

## DISCOVERY

WP3 - Analysis

Jan 18 - Feb 8

Assessmen

Jan 18 - Jan 27

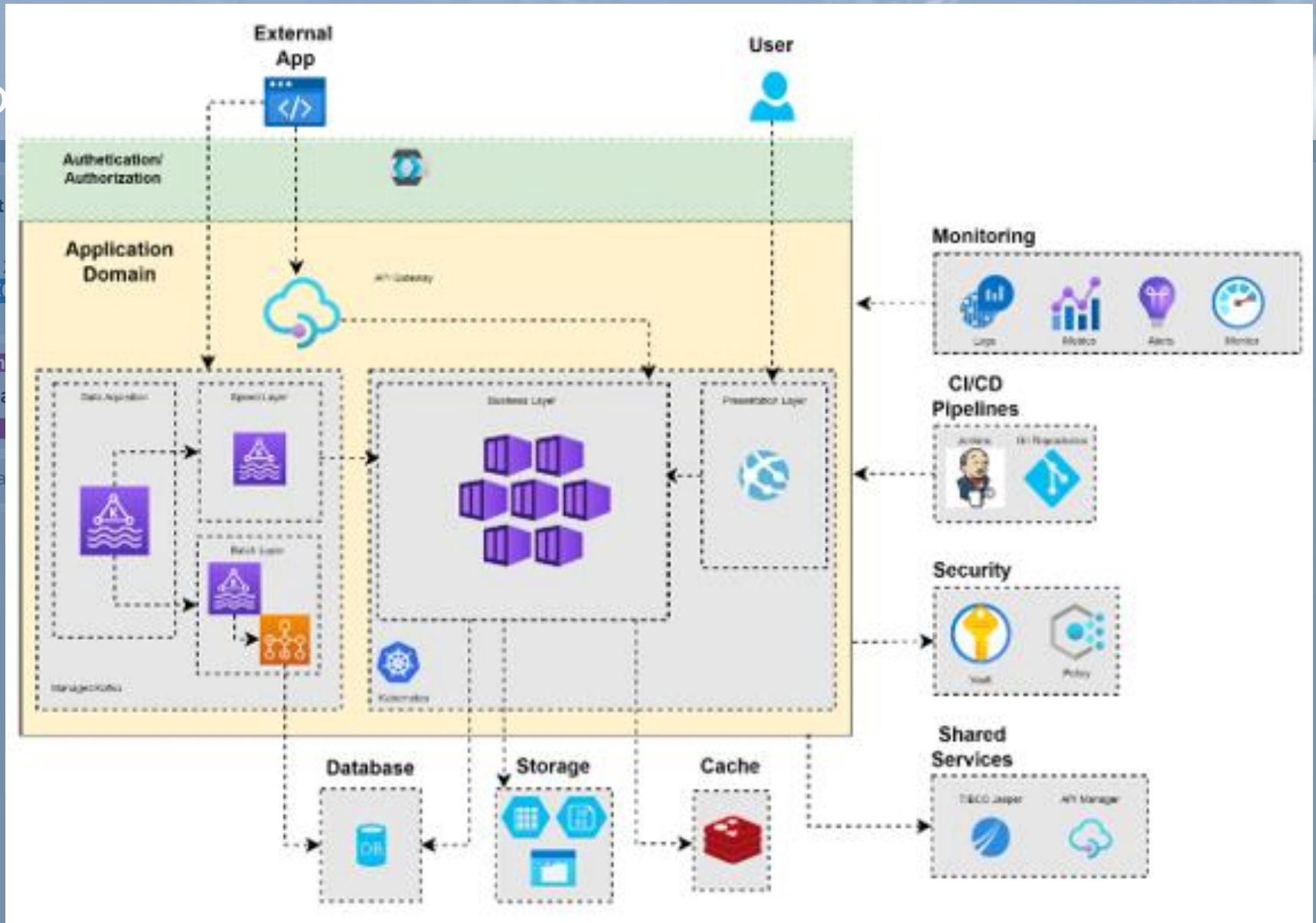
Infra

Jan 28 - Feb 8

Feb 9 - Ma

## STRATEGY

WP4 - Adoption & WP2 - Planning



# Cloud Strategy Adoption Roadmap

Dec 7 - Jan 17

**Project Start-up**

**D.0 Project Plan**

Jan 17

Jan 18 - Mar 25

**DISCOVERY Analysis & Documentation**

**D.1 Application portfolio report & Application dependency maps**

Mar 28

Jan 18 - Feb 8

**Assessments**

Jan 18 - Jan 27

**Infra. assess. / Inventory**

Jan 28 - Feb 8

**App. assess. / Inventory**

Feb 9 - Mar 25

**Work Sessions & Workshops**

Workshop

**DevOps**

May 25

Workshop

**DevOps**

Jun 02

Workshop

**Governance**

June 17

Mar 28 - Jul 15

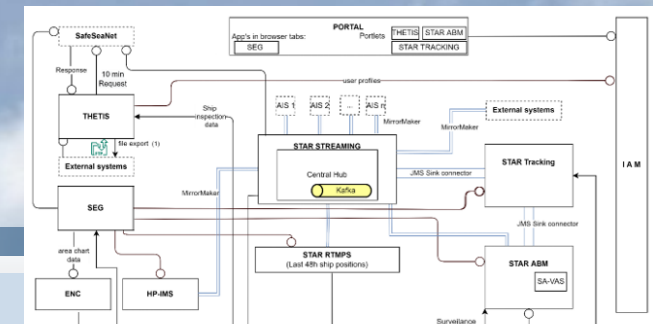
**STRATEGY Analysis & Definition**

Jul 18 - Jul 29

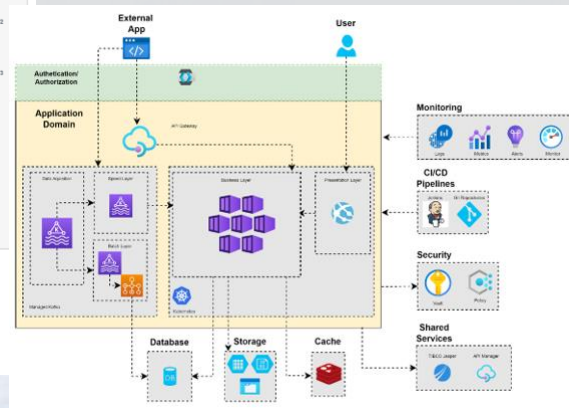
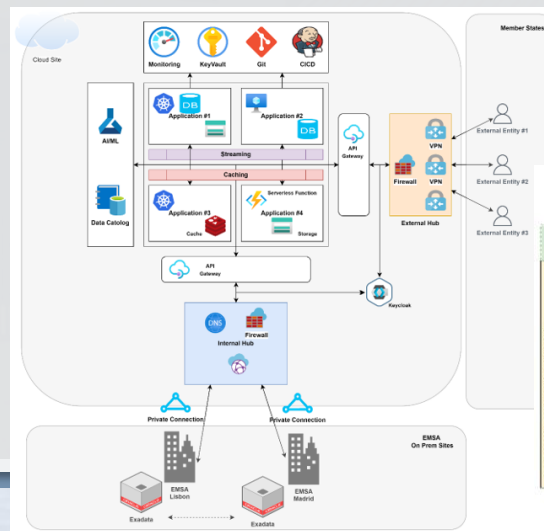
**Project Closure**

**DISCOVERY**  
WP3 - Analysis

**STRATEGY**  
WP4 - Adoption & WP2 - Planning



	PORTAL	THETIS	SEG	ENC	HP-IMS	STAR STREAMING	STAR RTMPS	STAR TRACKING	STAR ARM	CMAP	Access management	Oracle Essbase	SafeSealnet	External systems
PORTAL	Portal		Browser tabs					Portal	Portal		SOAP/REST	JDBC		
THETIS											SOAP/REST	JDBC	SOAP	SFTP
SEG			SOAP/REST		REST		SOAP/REST	SOAP/REST	SOAP/REST		SOAP/REST	JDBC	SOAP	
ENC										FTP	SOAP/REST			
HP-IMS														
STAR STREAMING					TOP		TOP	IMS Sink connector	TOP			JDBC		TOP
STAR RTMPS												JDBC		
STAR TRACKING									IMS Sink connector		SOAP/REST	JDBC		
STAR ARM											SOAP/REST	JDBC		
SafeSealnet		SOAP	SOAP/REST											
External systems		SOAP							SOAP					
Mobile Client		REST												
EXTERNAL AIS providers							TOP							



**D.2 Cloud native reference architecture**  
May 6

**D.3 Cloud Adoption Roadmap**  
Jun 14

**D.4 Cloud Business Case**  
Jun 14

**D.5 Skills/Re-skilling recommendations**  
Jun 14

**D.6 Governance Strategy**  
Jun 14

**D.7 Cost models for cloud services**

**D.8 Presentation materials/Findings Report and Recomm.**  
Jul 18



**SPEAK TO US ABOUT HOW CLOUD READY  
APPLICATIONS SOLUTIONS CAN HELP YOU  
IN YOUR DIGITAL TRANSFORMATION**

JOSÉ PEREIRA & MÓNICA DIAS  
CLOUD READY APPLICATIONS  
AXIANS PORTUGAL