

# Water Planning and Usage Tracking

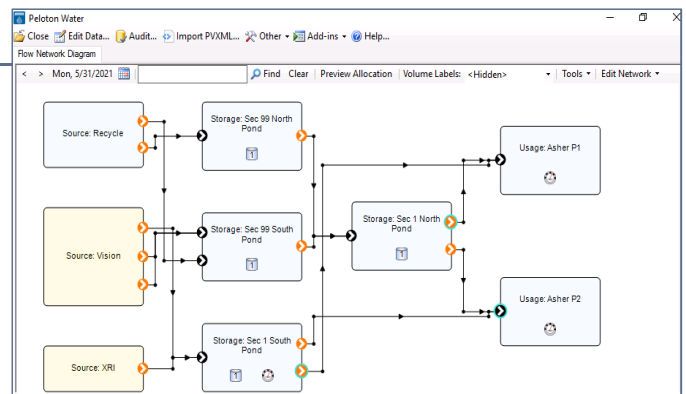


Peloton Water provides water data management for oil and gas companies: upstream, midstream, or downstream. The application is built on industry leading technology used by nearly 500 operators around the world.

Part of the Production Data Lifecycle on the Peloton Platform, Peloton Water is uniquely designed for water operations from field data capture to full water data management. Track costs and save time using your smartphone, tablet, or laptop devices.

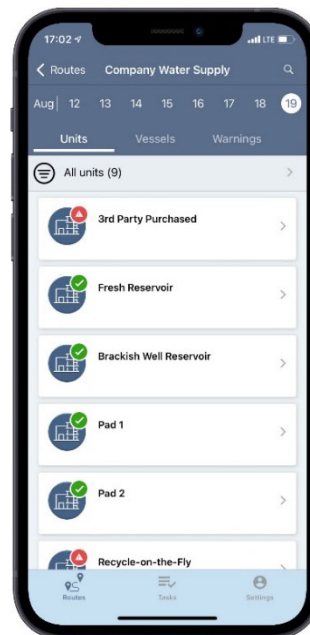
## Key Features

- Mobile field data capture
- Visual depiction of your water network, including meters, equipment, and facilities
- Capture of all your water readings
- Data import from any electronic or SCADA device
- Planned water vs. actuals
- Short-term and long-term reporting



## Benefits

- Consistent and consolidated water data management for cost tracking and regulatory compliance
- Accurate plan of water needs
- Historical analysis on actual water use to reduce expenses and increase cash flow
- Integrated data audit and quality control
- Spreadsheet or run sheet data entry (route based)
- Smart phone, tablet, or laptop data entry
- Supply and produced tracking



## Water Lifecycle

Track the surface activity of water movements from original source to operational sites through to recycling and disposal.

Peloton Water provides an integrated solution for water data management from field data capture on a mobile device to integration with key third party office applications.

